

## Specification of: RDA 21-1819-4E

### Centrifugal Roof Fan Nicotra Gebhardt genovent

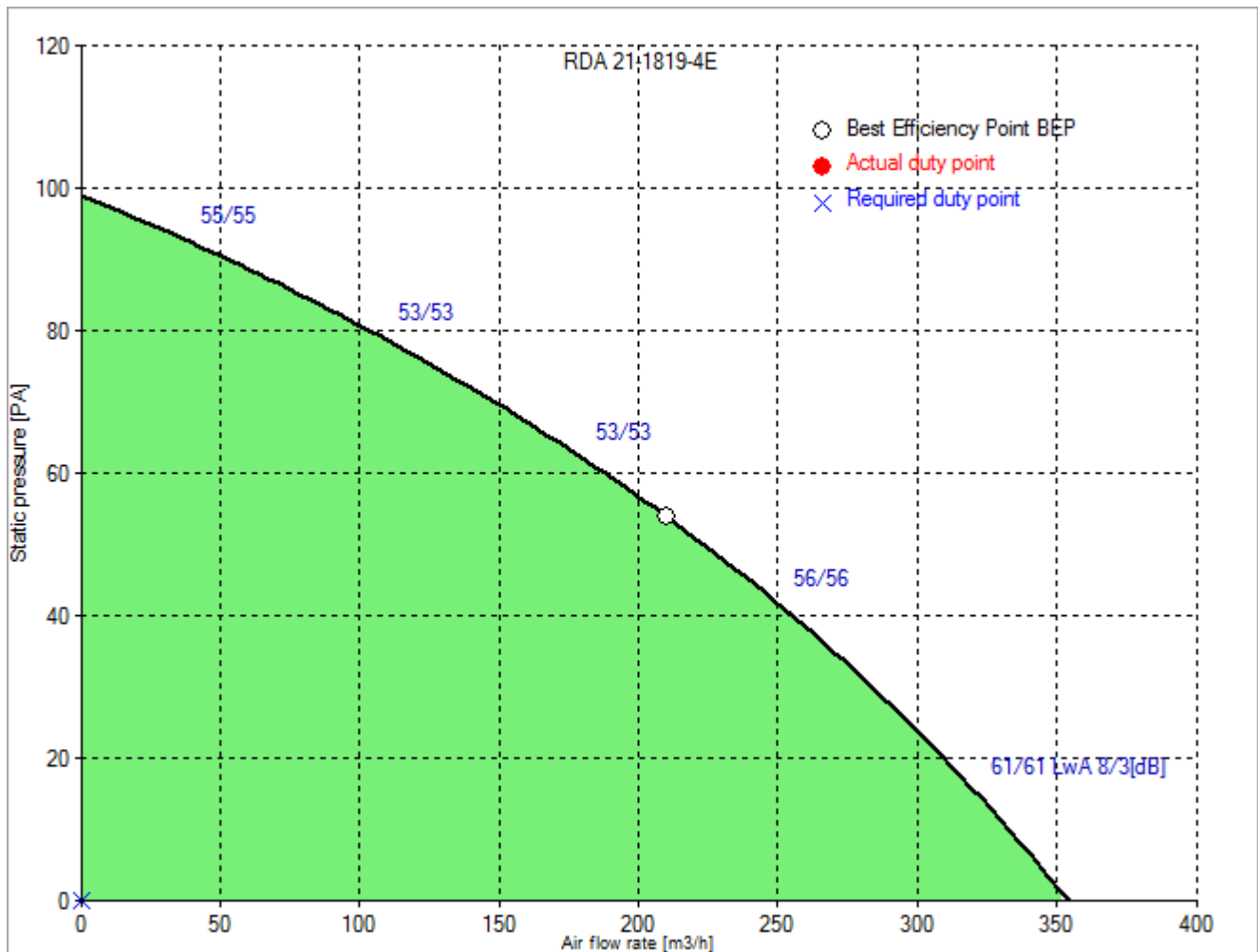
with swirl free horizontal directed discharge for gas medium up to app. +40 °C. Stylish casing and base frame with intake nozzle made of galvanised steel sheet Flange connection at intake acc. to DIN 24155-2 Discharge outlets protected from the weather with an aerodynamically shaped grille. Centrifugal impeller with backward curved blades, mounted on the rotor of a variable speed integral external rotor motor, protected to IP 44. Motor protection is through direct switching thermal contacts in the motor winding, Dynamically balanced, installed vibration free, totally maintenance free. Performance data in according DIN 24166 tolerance class 2 (BS 848 Class "B").

### Technical data of the fan: RDA 21-1819-4E

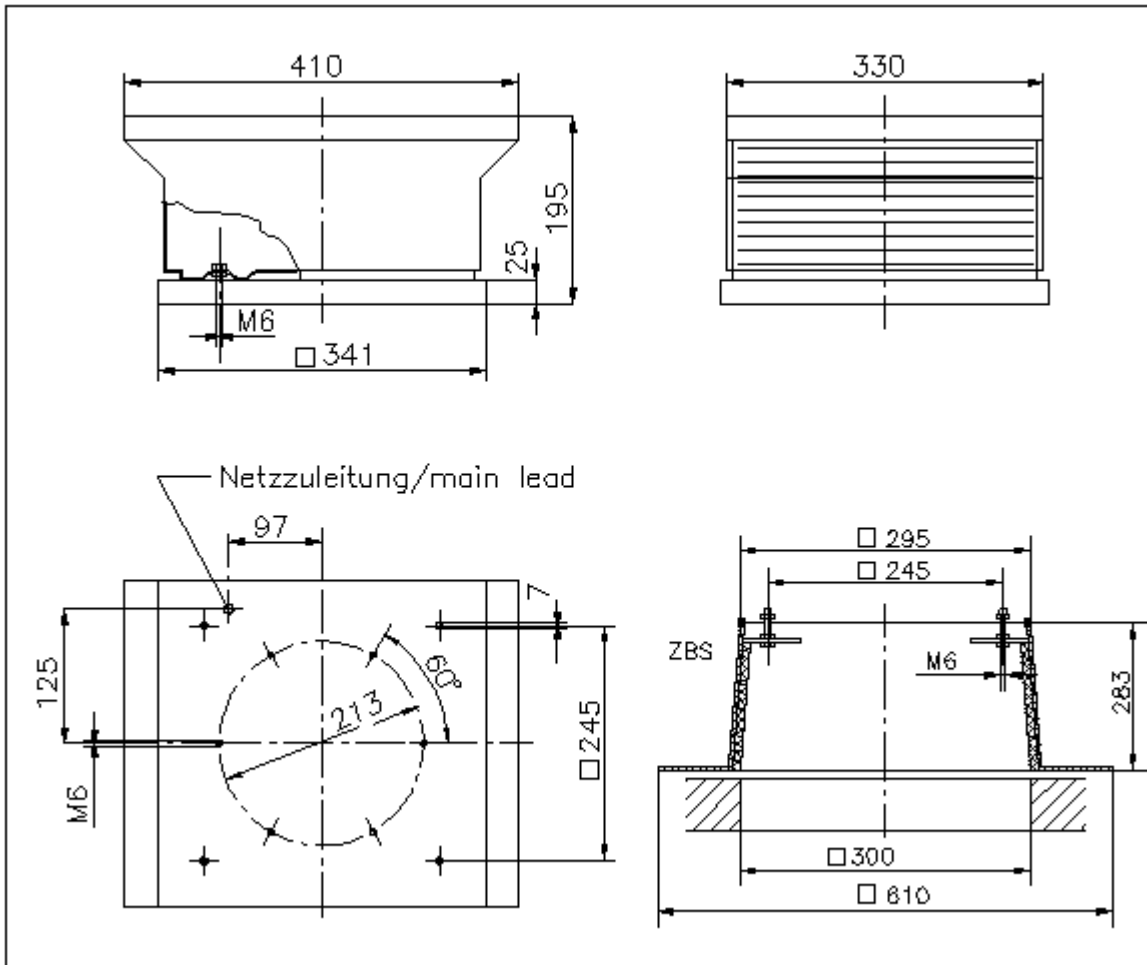
EU regulation 1253/2014 not applicable

Description	Value	Dimension
<b>Specified duty point</b>		
<b>Actual duty point</b>		
Installation acc. DIN 24163 Part 1		A
Reference density (Rho1)	1.20	kg/m <sup>3</sup>
Medium temperature (t)	20	C
Fan weight	5	kg
<b>Rated data</b>		
Phases-Voltage-Frequency	1~230-50	V-Hz
Number of poles:	4	
Rated motor speed (n <sub>N</sub> )	1390	min <sup>-1</sup>
Rated motor current (I <sub>N</sub> )	0,13	A
Capacitor (C)	1,0	µF
<b>operational limits</b>		
Max. absorbed power (P <sub>1max</sub> )	0.029	kW
Max. fan speed (n <sub>vmax</sub> )	1500	min <sup>-1</sup>
Max. operating frequency (f <sub>max</sub> )	50	Hz
Temperature range of conveying medium (t <sub>min</sub> ...t <sub>max</sub> )	-20...50	C

## Fan curve to RDA 21-1819-4E



## Dimensions to RDA 21-1819-4E



Rotation:  
Handing:

RD  
90